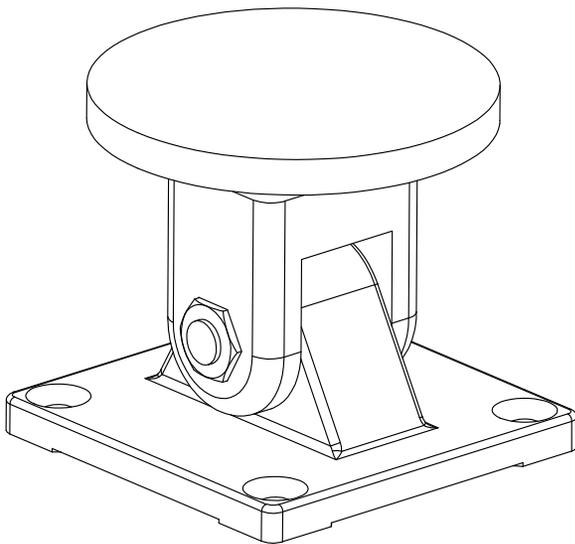


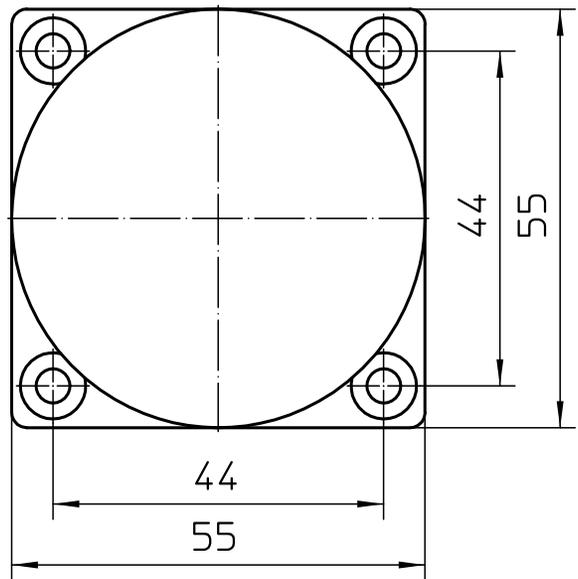
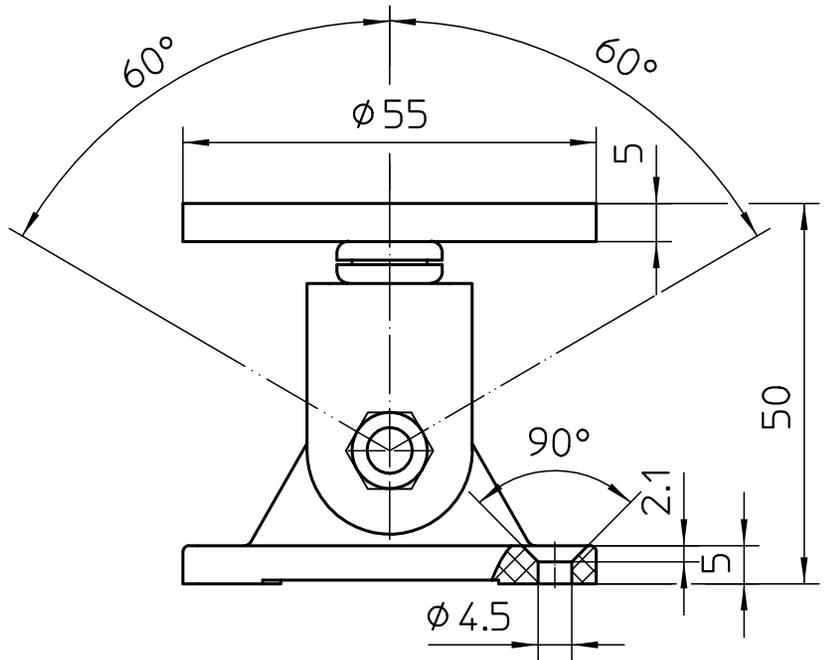
This drawing shows the actual state of product development at the date of the drawing or the revision date. No claims or damages in any form can be made against GEZE as a result of the drawing or the revision. The drawing is only valid for the duration of contractual obligations. All rights connected with this drawing remain in possession of GEZE. This drawing may not be copied or handed over to third parties without the express consent of GEZE.

EMPB = Erstmusterprüfbericht / First sample test report

M 1:1



Schwenkbereich ca 2x60°



GEZE Mat.-Nr.	115956
enthalten in/included in	155570
	155571
	155572

GEZE GmbH P.O. Box 13 63 71226 Leonberg Germany					Benennung / designation	
					HAFTGEGENPLATTE SCHWENKBAR COUNTER PLATE PIVOTABLE	
vertraulich / confidential					Blatt / von sheet / of 1 / 1	
erstellt / drawn			Datum / date	Name / name	Material-Nr. ID-no.	
gepr. / checked			03.12.13	tbt7	155570	
Ersatz für: subst. for:					Sprache / language	
Ersetzt durch: subst. with:					D	
00 03.12.13 tbt7 *					Zeichnungs-Nr. / document-no.	
EMPB Dok.version doc.version Datum date Name name Mitteilungs-Nr. Doc. change no.					21202-0-5	