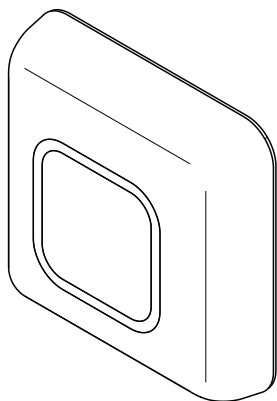


GC 307+

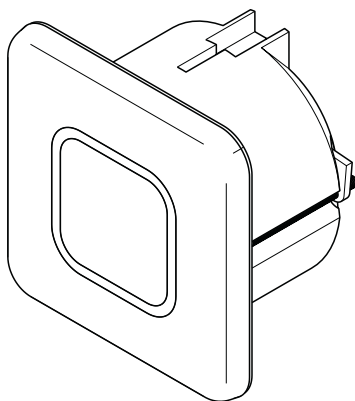


198725-01

GEZE



195727 (Hand-Icon)
195751 (WC-Icon)



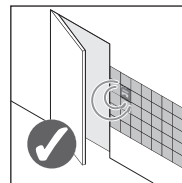
193226 (Hand-Icon)
195750 (WC-Icon)

Translation of the original instructions for device version 0200

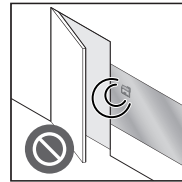


Intended use

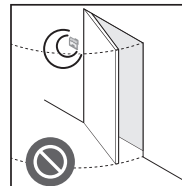
The movement detector GC 307+ may only be used to activate automatic sliding, curved sliding, folding, swing or revolving doors with GEZE drives.



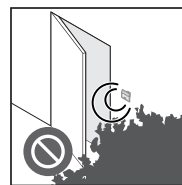
The GC 307+ can be installed behind tiles, wood, plaster, plastic and glass.



Do not install the GC 307+ behind metallic surfaces.



Do not install the GC 307+ in the swivelling range of doors.



Avoid moving objects near the GC 307+.

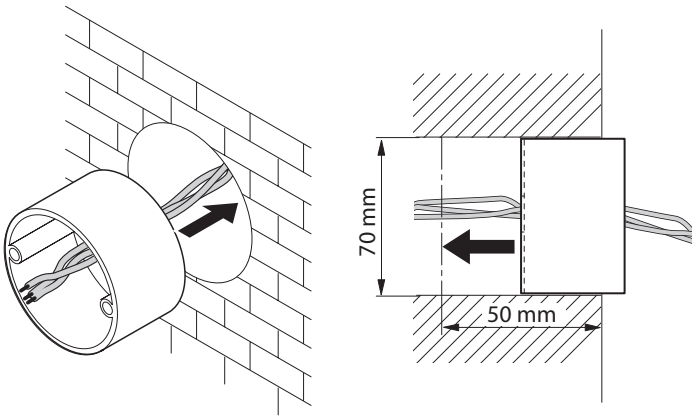


Technology	Radar movement detector
Frequency	24,150 GHz
Power flux density	< 5 mW/cm ²
Radiated power	< 20 dBm EIRP
Detection range (hand)	±10 ... 60 cm (movement towards sensor, angle 90°), adjustable*
Type of detection	Movement (independent of direction)
Speed of objects for detection	Min. 5 Hz or ±3 cm/s, Max. 200 Hz or ±1.2 m/s
Power supply **	12–24 V AC ±10 % 12–24 V DC +30 %/–10 %
Mains frequency	50 ... 60 Hz
Power consumption	< 1.5 W
Output	Changeover relay (potential-free contact)
▫ Max. contact voltage	42 V AC/DC
▫ Max. switching current	100 mA
Holding time	0.5 s (in PULSE mode)
Temperature range	–20 °C ... +55 °C
Protection class	IP 65 (if front and seal are installed on a smooth surface)
Material	PC
Colour	White
Recommended cable	Braided cable up to 16 AWG – 1.5 mm ²

* Adjustment of the detection field < 10 cm is possible, but the detection capacity of the sensor can then no longer be guaranteed.

** The unit must be supplied by an approved SELV-limited current source of Class II. This requirement is the need for double insulation between primary voltages and the unit supply. The power supply should be limited to 1.5 A.

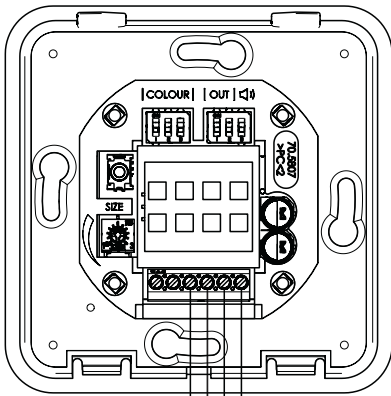
1



2



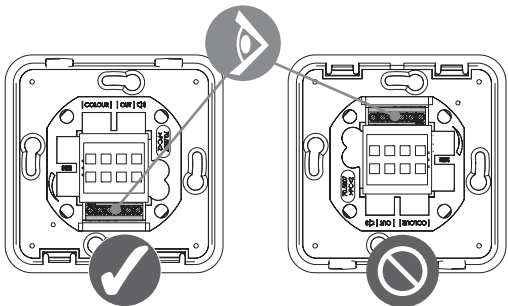
Follow the instructions for the drive.



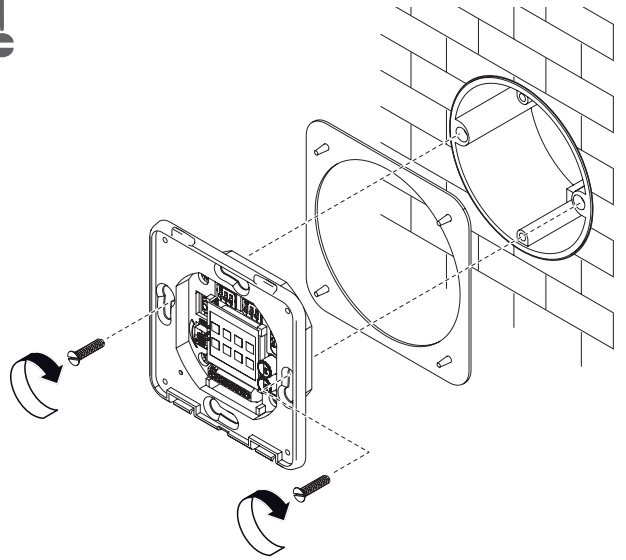
Set the type of contact for KI and KA to "normally open contact".

1	GND
4	24V
23	KA

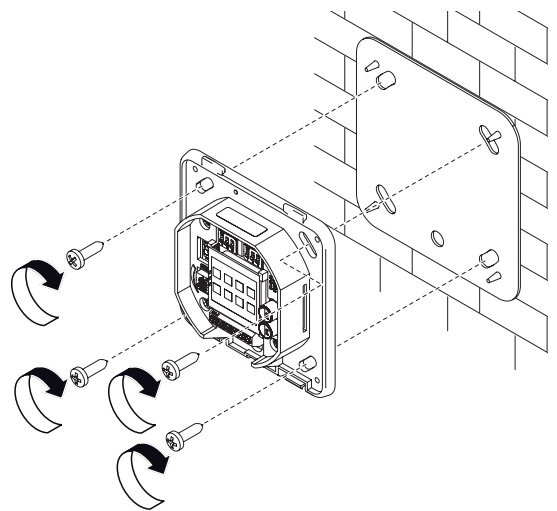
i



3a



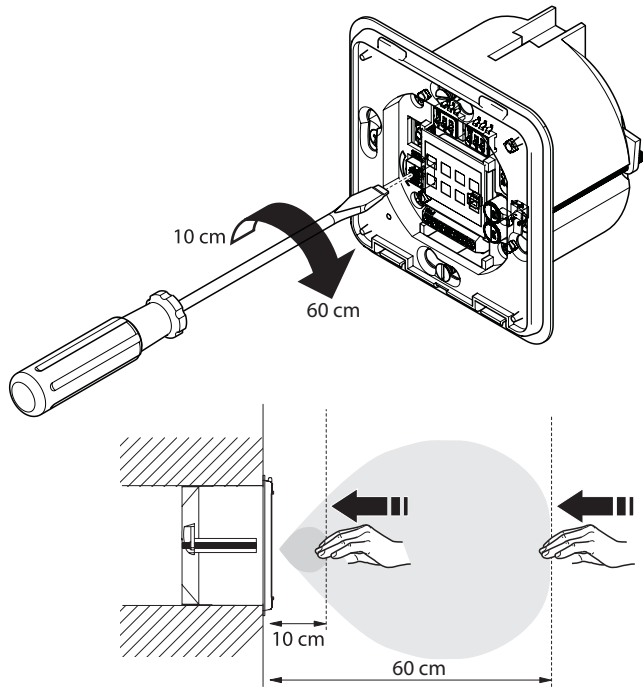
3b



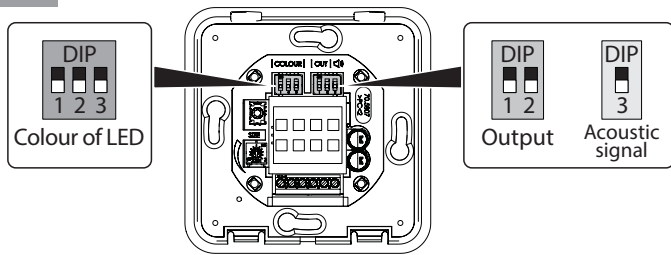
4

Range

- Adjust according to requirement.
- Depends on the direction of movement, size and material/type of object to be detected.



5



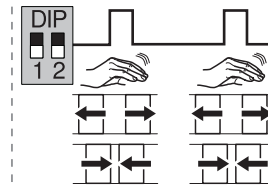
Colour of LED

DIP 1	DIP 2	DIP 3	No detection	Detection
Off	Off	Off	Off	Blue
On	Off	Off	Blue	Off
On	On	Off	Blue	Green
On	Off	On	Off	Green
On	On	On	Green	Off
On	Off	Off	Off	Off
On	On	Off	Green	Red
On	Off	On	Red	Green

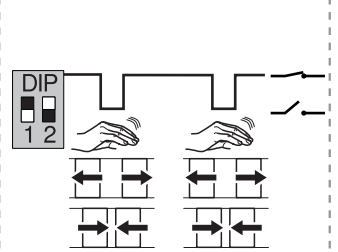
6

Output modus

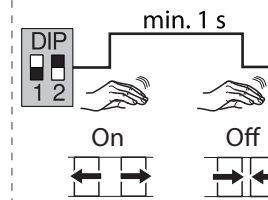
Pulse mode (NO)
Recommended for automatic door drives



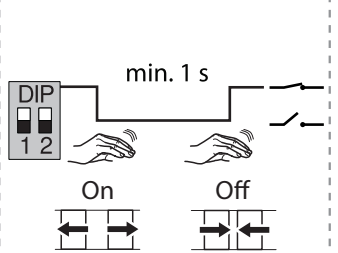
Pulse mode (NC)



Toggle mode (NO)
Recommended for switching applications



Toggle mode (NC)



Control INPUT

Is activated via an external contact. When the contact is closed, the switching behaviour changes (refer also to section "Door control") and the LED display lights up red.

Input

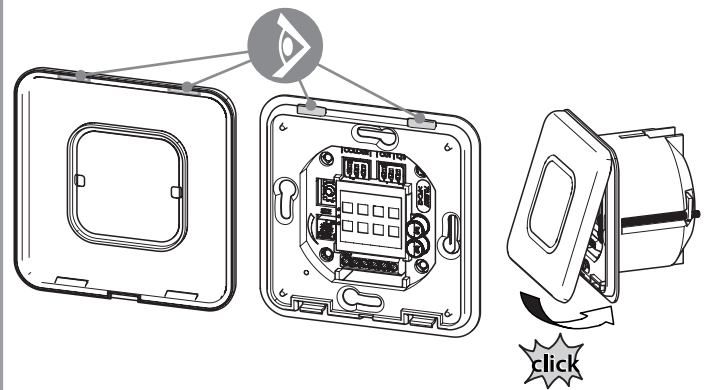


The input signal must be a potential-free contact (no voltage).

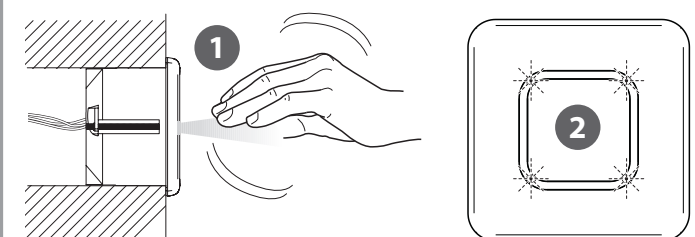
Acoustic feedback



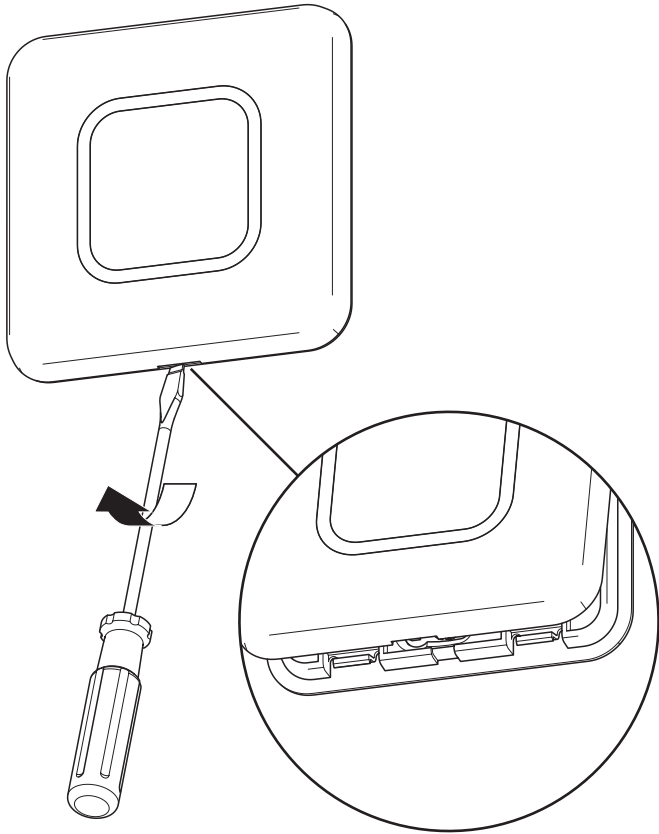
7



8



Open the GC 307+

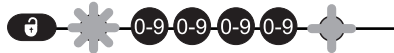


Set using the remote control

Operation



After unlocking, the red LED flashes and the sensor is accessible.



If the red LED flashes quickly after unlocking:
 ▶ Enter the access code.
 If the access code is not known:
 ▶ Turn the power supply off and on again.
 After switch-on the sensor can be unlocked within 1 minute without the access code being entered.



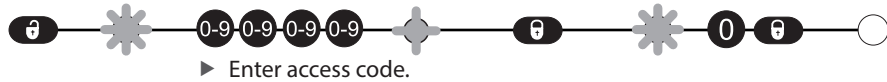
▶ Lock the sensor again at the end of the settings.

Saving the access code

The access code (1 to 4 digits) is recommended for sensors which are close together.

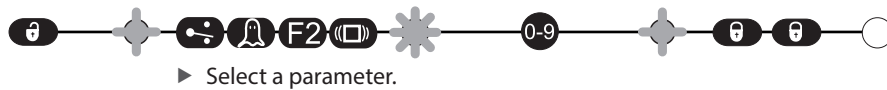


Deleting the access code



▶ Enter access code.

Setting one or more parameters



▶ Select a parameter.

Resetting to factory settings

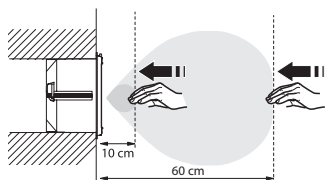


Full reset

Range

Range

To change these settings by remote control, the range must be set to minimum.



0

small

1

>

2

>

3

>

4

>

5

>

6

>

7

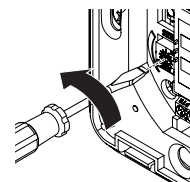
>

8

>

9

large



Output

Output configuration



0

Pulse
NO

1

Toggle
NO

2

Pulse
NC

3

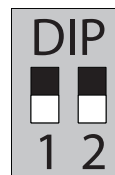
Toggle
NC

4

Pulse
frequency

5

Toggle
frequency



Holding time

If the "output configuration" is set to Pulse (0, 2 or 4), the hold-open time can be adapted here.



0

0.5 s

1

1 s

2

2 s

3

3 s

4

4 s

5

5 s

Aut. reset

If the "output configuration" is set to Toggle (1, 3 or 5), it can be determined here when the system unlocks automatically.



0

No timer

1

1 min

2

5 min

3

15 min

4

30 min

5

60 min

5 seconds before the timer expires, the LED flashes and a signal sounds.

To change these settings by remote control, the DIP switches "Output" must be set to OFF.

Door control



1

AUTO

2

OPEN

3

CLOSED

4

RESTROOM

1 AUTO

With the contact closed at the control INPUT, the output OUT switches when a hand moves in front of the sensor.

2 OPEN

With the contact closed at the control INPUT, the output OUT switches permanently.

3 CLOSED

With the contact closed at the control INPUT, the output OUT does not switch.

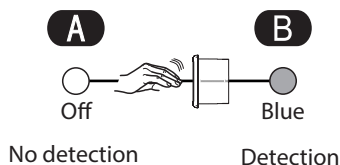
4 RESTROOM

With the contact closed at the control INPUT, the output OUT switches when a hand moves in front of the sensor optimised for a WC circuit.

LED

Colour of LED

To change these settings by remote control, the DIP switches "Colour of LED" must be set to OFF.



0

1

2

3

4

5

6

7

or

Red

or

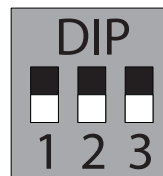
Green

or

Blue

or

Yellow



A

Off

Red

Green

Blue

Yellow

Pink

Turquoise

White

B

Off

Red

Green

Blue

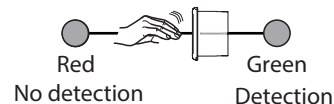
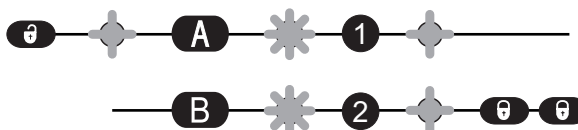
Yellow


Pink

Turquoise

White

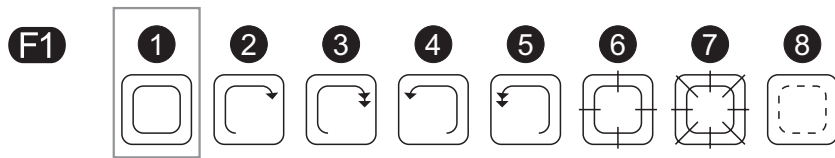
Example:



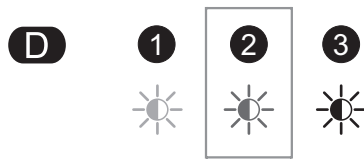
 = Factory setting

LED

Animation

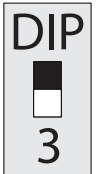
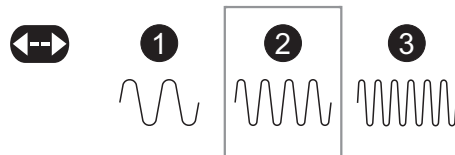


Brightness



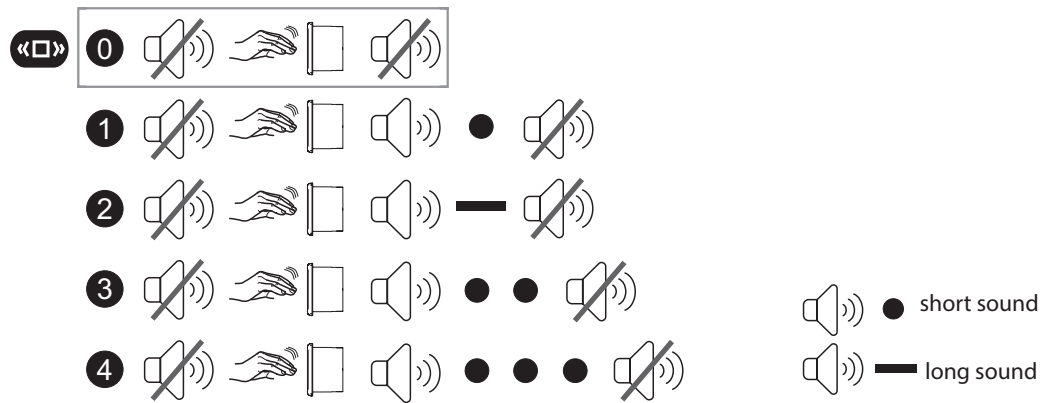
Acoustic feedback

Sound



Acoustic signal

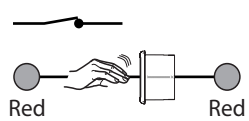
To change these settings by remote control, the DIP switch for "Acoustic signal" must be set to OFF.



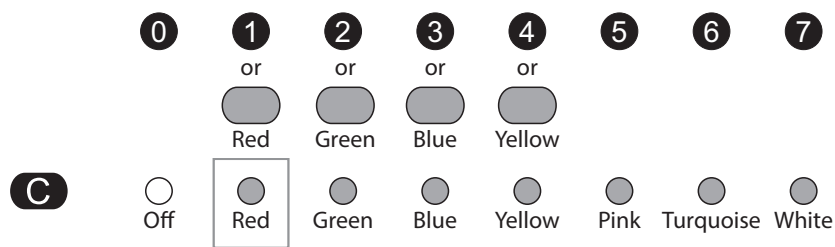
External control signal (e.g. function WC control)

Optical and acoustic feedback in the event of external activation:

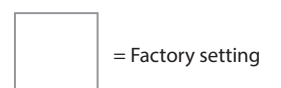
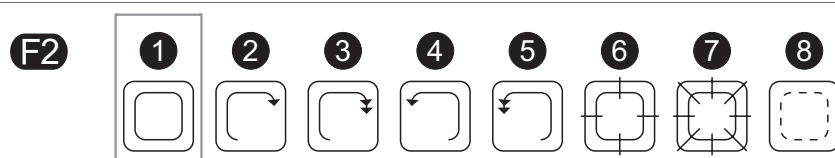
Colour of LED



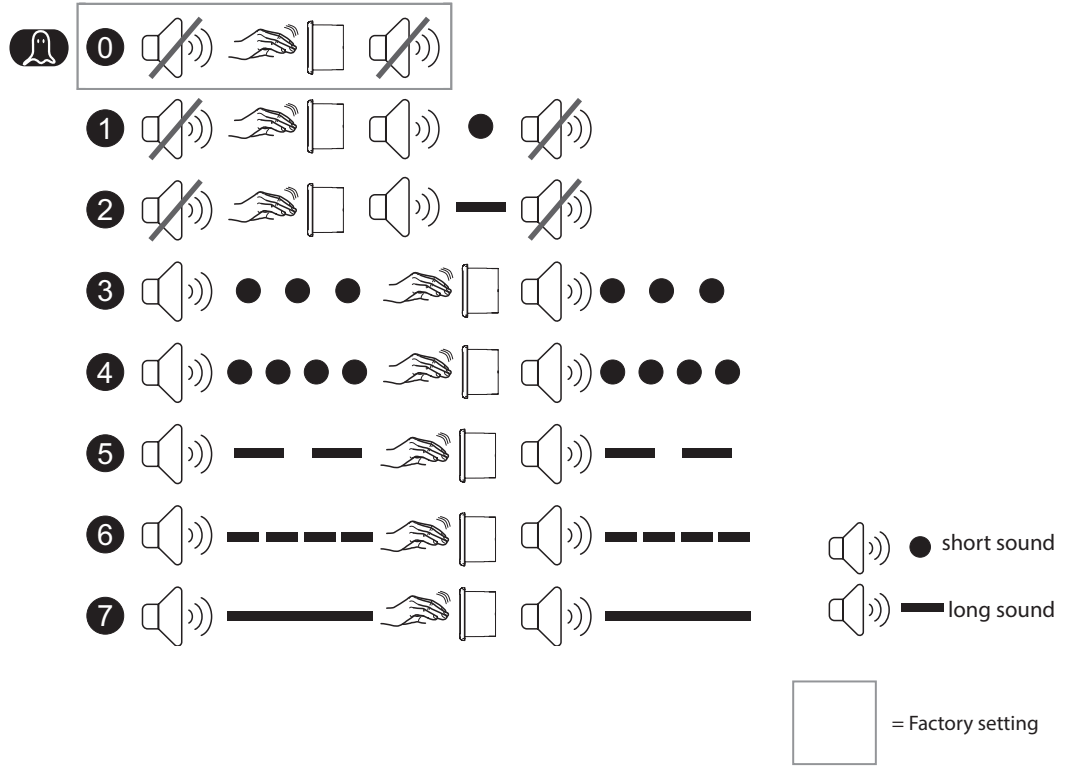
Colour corresponding to the DIP switch "Colour of LED"



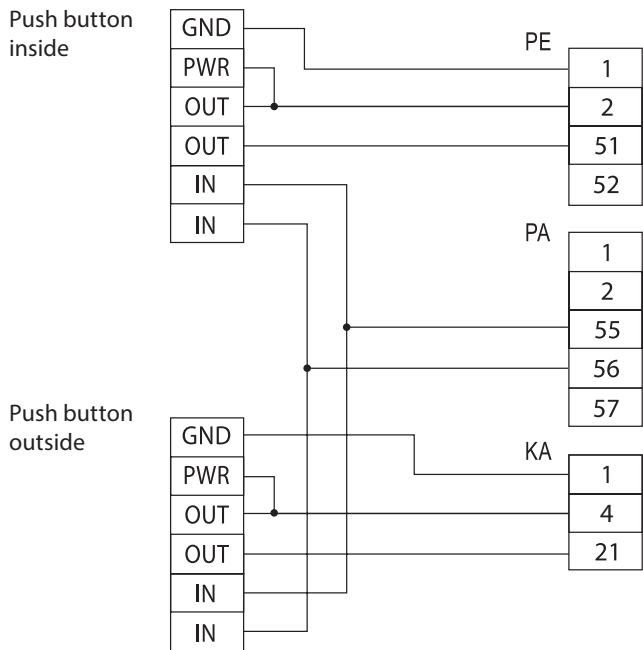
Animation



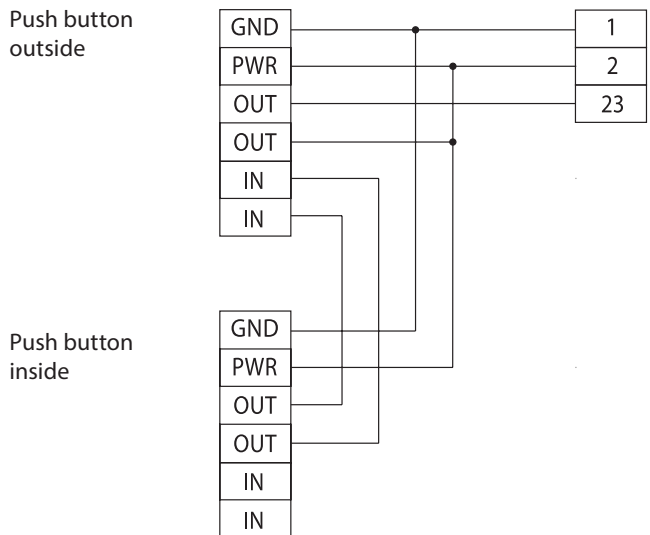
Acoustic signal



WC control with KB emergency opening



WC control with adjustable unlocking time



- Set "PE1" or "PE2" to WC control.
- Set "PA1" or "PA2" to exit only function.
Set "PA1" or "PA2" to alarm WC control function.
- Set "Hold-open times, 1-leaf opening" to the desired time (0-60 s).
- GC 307+ inside and outside*: Door control to 1 (Auto)

- GC 307+ inside*: Output mode to 1 (Toggle NO)
- GC 307+ outside*: Door control to 4 (Restroom)








Note:
The door can be unlocked at any time via KB.

After 30 minutes, an external warning signal (acoustic or optical) is triggered.

Note:
The door also unlocks automatically after the set "Aut. reset" time has elapsed.

*Only possible via the remote control (100061)

Troubleshooting

Fault	LED	Possible causes	Elimination
The door does not open.		Faulty or no power supply.	▶ Check the power supply.
		Range is too small.	▶ Adjust range. ▶ Remove metallic objects in front of the sensor.
		Wired wrong.	▶ Check wiring and relay connection.
The door remains open.		The environment is influencing the functional ability of the sensor.	▶ Remove moving objects from near the sensor.
		Wired wrong.	▶ Check wiring and relay connection.
The door remains open after detection/activation.		Wrong output mode.	▶ Switch the output mode to pulse mode.
		Wired wrong.	▶ Check wiring and relay connection.



LED is lit



LED is not lit



Only for EU countries: In compliance with the European guideline 2012/19/EU concerning waste electrical and electronic equipment (WEEE)