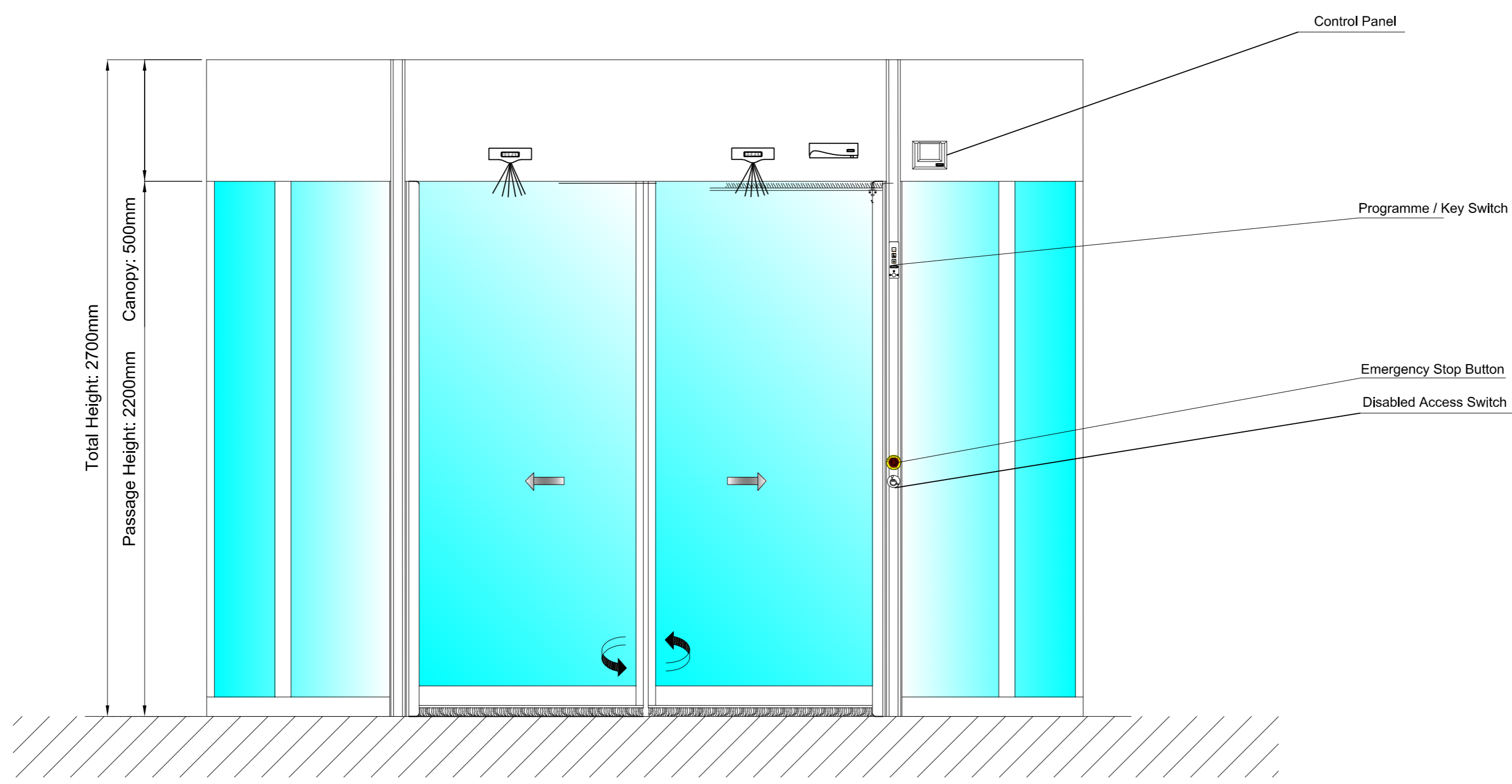
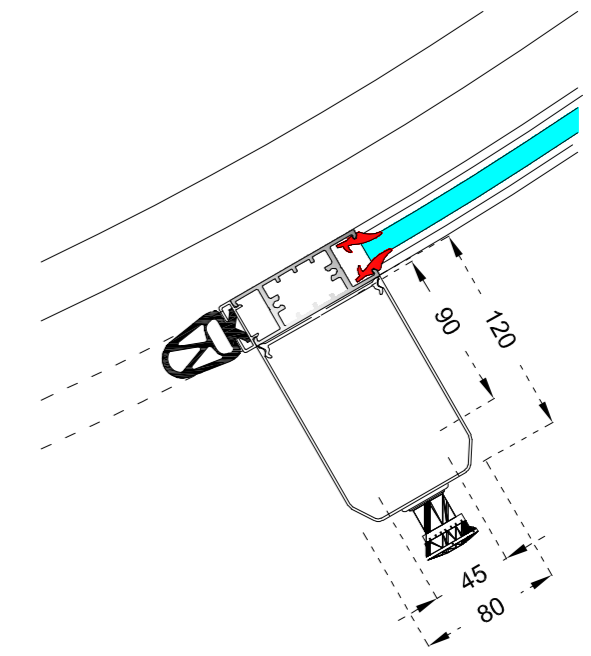


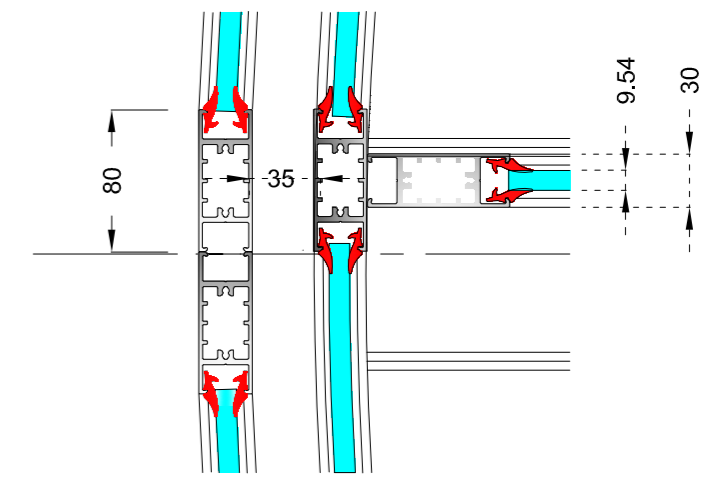
INSIDE



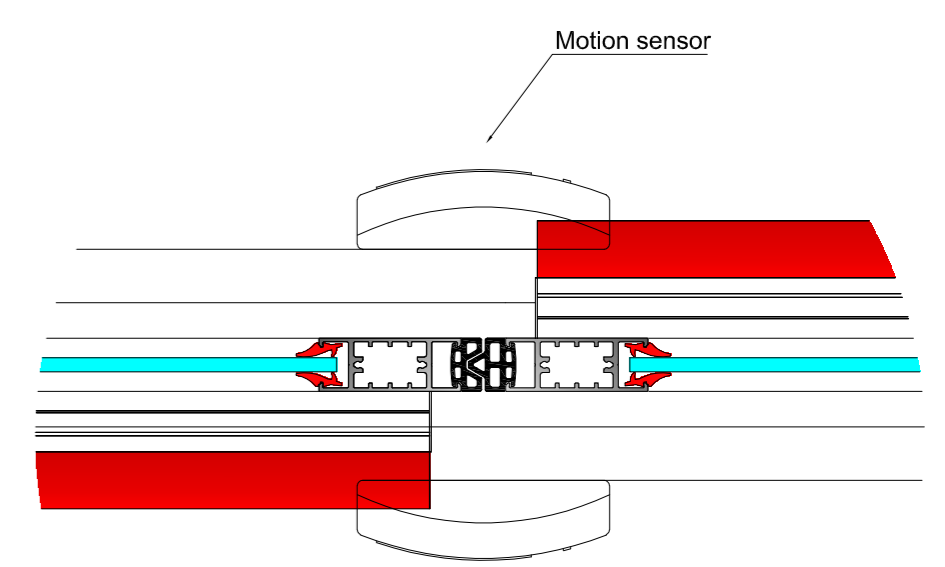
FRONT VIEW



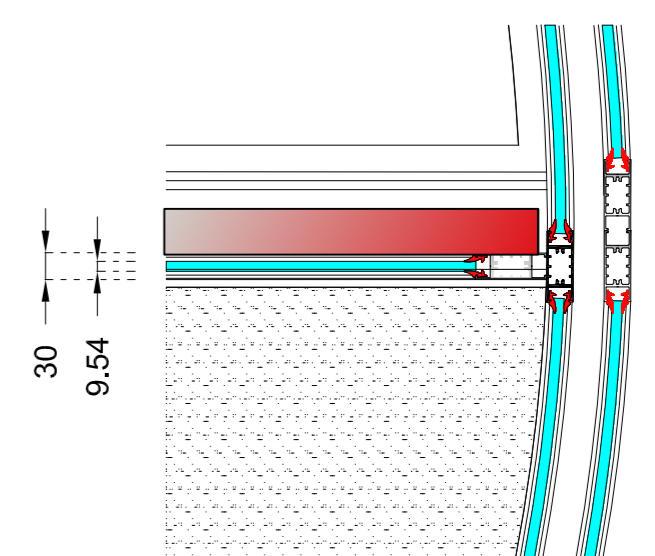
DETAIL A



DETAIL B



DETAIL C



DETAIL D

Object				customer
OBJEKT				MR.MUSTERMANN
name	date	scale	surface / colour	drawing-name / door-type
disg.:	27.06.2019			REFERENCEDRAWING
pr.:				TSA 395 Multi
				commission

